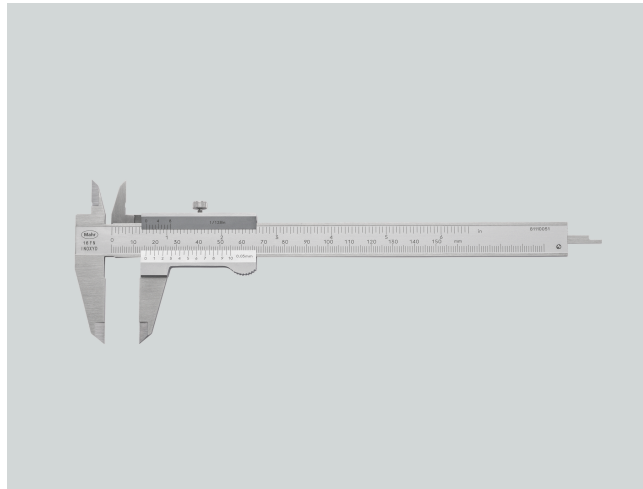


# Product information

## Caliper with analog display MarCal 16 FN

### Product features

- Vernier and scale have a satin chrome finish for glare free reading
- Locking screw above
- Measuring surfaces made of steel
- Measuring blade for inside measurements
- Slide and beam made of hardened stainless steel
- Step measuring function
- Raised guideway for the protection of the scale



### Package contains

thread table, case

Item no.: **4100421**

### Application

#### With locking screw:

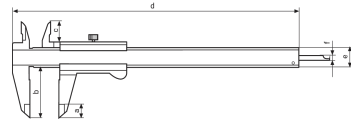
Maintenance-free clamping of the slider thanks to knurled locking screw

### Technical data

<b>Measuring range mm</b>	0 - 200 mm
<b>Error limit (mm)</b>	0.05 mm

### Dimensions

<b>Dimensions e in mm</b>	17 mm
<b>Dimensions b in mm</b>	50 mm
<b>Dimensions a in mm</b>	14 mm
<b>Dimensions f in mm</b>	3.8 mm
<b>Dimensions c in mm</b>	19 mm
<b>Dimensions d in mm</b>	290 mm

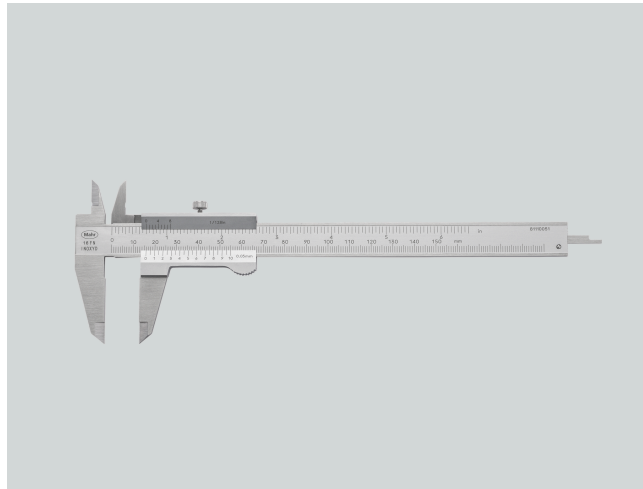


# Product information

## Caliper with analog display MarCal 16 FN

### Product features

- Vernier and scale have a satin chrome finish for glare free reading
- Locking screw above
- Measuring surfaces made of steel
- Measuring blade for inside measurements
- Slide and beam made of hardened stainless steel
- Step measuring function
- Raised guideway for the protection of the scale



### Package contains

thread table, case

Item no.: **4100400**

### Application

#### With locking screw:

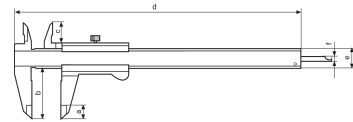
Maintenance-free clamping of the slider thanks to knurled locking screw

### Technical data

<b>Measuring range mm</b>	0 - 150 mm
<b>Measuring range</b>	0 - 6"
<b>Error limit (mm)</b>	0.05 mm

### Dimensions

<b>Dimensions e in mm</b>	16 mm
<b>Dimensions b in mm</b>	40 mm
<b>Dimensions a in mm</b>	10 mm
<b>Dimensions f in mm</b>	3.8 mm
<b>Dimensions c in mm</b>	16 mm
<b>Dimensions d in mm</b>	228 mm

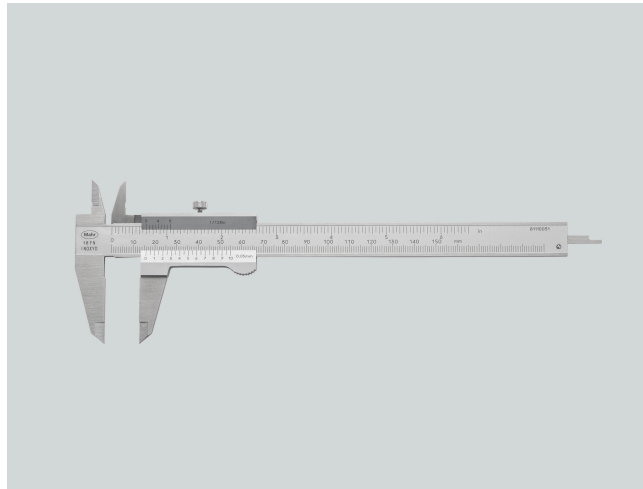


# Product information

## Caliper with analog display MarCal 16 FN

### Product features

- Vernier and scale have a satin chrome finish for glare free reading
- Locking screw above
- Measuring surfaces made of steel
- Measuring blade for inside measurements
- Slide and beam made of hardened stainless steel
- Step measuring function
- Raised guideway for the protection of the scale



### Package contains

thread table, case

Item no.: **4100422**

### Application

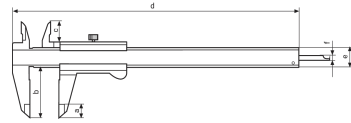
**With locking screw:**  
Maintenance-free clamping of the slider thanks to knurled locking screw

### Technical data

<b>Measuring range mm</b>	0 - 300 mm
<b>Error limit (mm)</b>	0.05 mm

### Dimensions

<b>Dimensions e in mm</b>	20 mm
<b>Dimensions b in mm</b>	64 mm
<b>Dimensions a in mm</b>	16 mm
<b>Dimensions f in mm</b>	4.8 mm
<b>Dimensions c in mm</b>	23 mm
<b>Dimensions d in mm</b>	404 mm

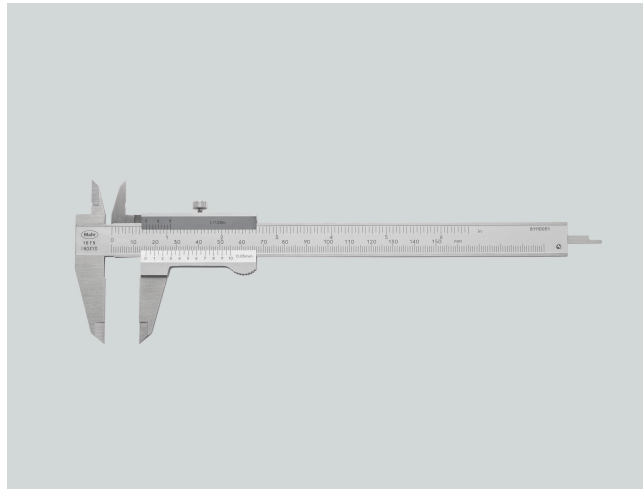


# Product information

## Caliper with analog display MarCal 16 FN

### Product features

- Vernier and scale have a satin chrome finish for glare free reading
- Locking screw above
- Measuring surfaces made of steel
- Measuring blade for inside measurements
- Slide and beam made of hardened stainless steel
- Step measuring function
- Raised guideway for the protection of the scale



### Package contains

thread table, case

Item no.: **4100420**

### Application

#### With locking screw:

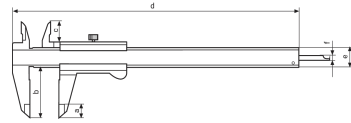
Maintenance-free clamping of the slider thanks to knurled locking screw

### Technical data

<b>Measuring range mm</b>	0 - 150 mm
<b>Error limit (mm)</b>	0.05 mm

### Dimensions

<b>Dimensions e in mm</b>	16 mm
<b>Dimensions b in mm</b>	40 mm
<b>Dimensions a in mm</b>	10 mm
<b>Dimensions f in mm</b>	3.8 mm
<b>Dimensions c in mm</b>	16 mm
<b>Dimensions d in mm</b>	228 mm

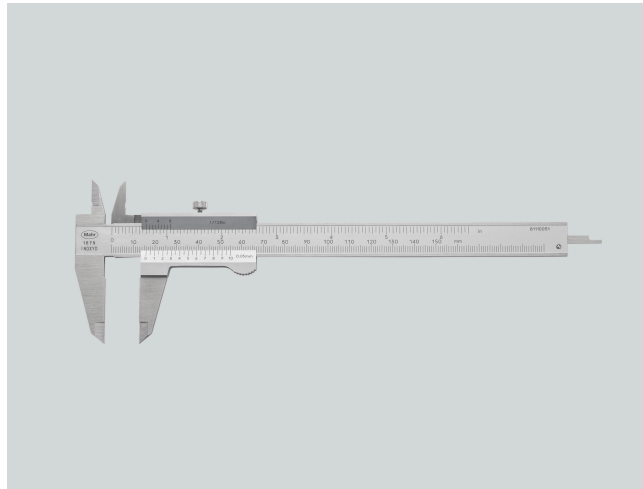


# Product information

## Caliper with analog display MarCal 16 FN

### Product features

- Vernier and scale have a satin chrome finish for glare free reading
- Locking screw above
- Measuring surfaces made of steel
- Measuring blade for inside measurements
- Slide and beam made of hardened stainless steel
- Step measuring function
- Raised guideway for the protection of the scale



### Package contains

thread table, case

Item no.: **4100401**

### Application

#### With locking screw:

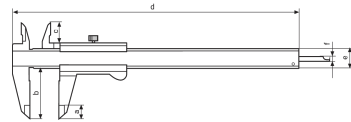
Maintenance-free clamping of the slider thanks to knurled locking screw

### Technical data

<b>Measuring range mm</b>	0 - 200 mm
<b>Measuring range</b>	0 - 8"
<b>Error limit (mm)</b>	0.05 mm

### Dimensions

<b>Dimensions e in mm</b>	17 mm
<b>Dimensions b in mm</b>	50 mm
<b>Dimensions a in mm</b>	14 mm
<b>Dimensions f in mm</b>	3.8 mm
<b>Dimensions c in mm</b>	19 mm
<b>Dimensions d in mm</b>	290 mm

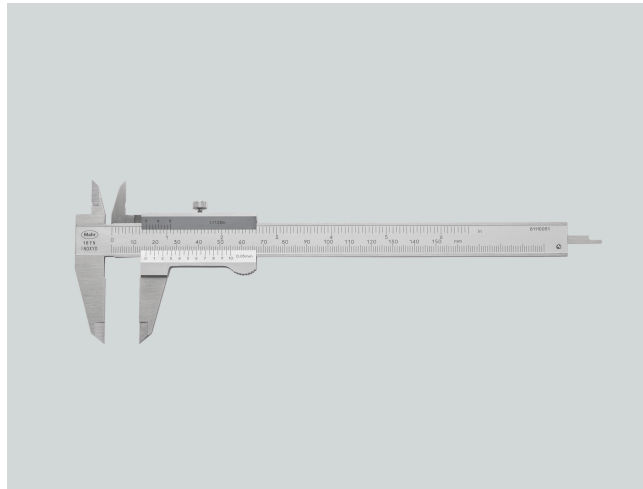


# Product information

## Caliper with analog display MarCal 16 FN

### Product features

- Vernier and scale have a satin chrome finish for glare free reading
- Locking screw above
- Measuring surfaces made of steel
- Measuring blade for inside measurements
- Slide and beam made of hardened stainless steel
- Step measuring function
- Raised guideway for the protection of the scale



### Package contains

thread table, case

Item no.: **4100402**

### Application

#### With locking screw:

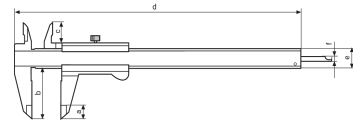
Maintenance-free clamping of the slider thanks to knurled locking screw

### Technical data

<b>Measuring range mm</b>	0 - 300 mm
<b>Measuring range</b>	0 - 12"
<b>Error limit (mm)</b>	0.05 mm

### Dimensions

<b>Dimensions e in mm</b>	20 mm
<b>Dimensions b in mm</b>	64 mm
<b>Dimensions a in mm</b>	16 mm
<b>Dimensions f in mm</b>	4.8 mm
<b>Dimensions c in mm</b>	23 mm
<b>Dimensions d in mm</b>	404 mm

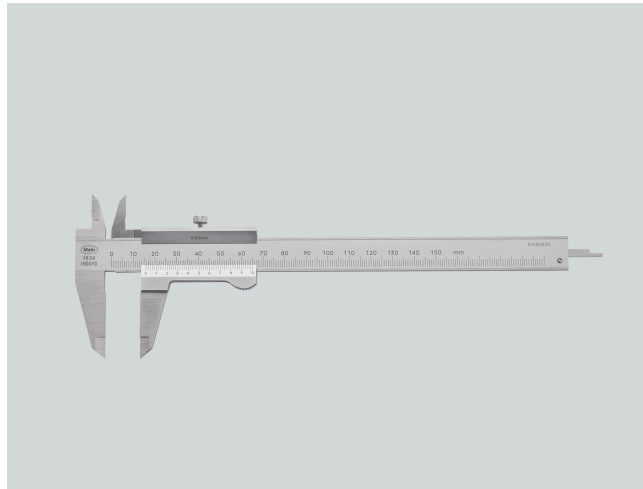


# Product information

## Caliper with analog display MarCal 16 GN

### Product features

- Vernier and scale have a satin chrome finish for glare free reading
- Locking screw above
- Measuring surfaces made of steel
- Measuring blade for inside measurements
- Slide and beam made of hardened stainless steel
- Step measuring function
- Raised guideway for the protection of the scale



### Package contains

thread table, case

Item no.: **4100650**

### Application

#### With locking screw:

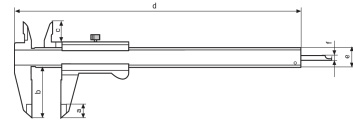
Maintenance-free clamping of the slider thanks to knurled locking screw

### Technical data

<b>Measuring range mm</b>	0 - 150 mm
<b>Error limit (mm)</b>	0.04 mm

### Dimensions

<b>Dimensions e in mm</b>	16 mm
<b>Dimensions b in mm</b>	40 mm
<b>Dimensions a in mm</b>	10 mm
<b>Dimensions f in mm</b>	3.8 mm
<b>Dimensions c in mm</b>	16 mm
<b>Dimensions d in mm</b>	228 mm

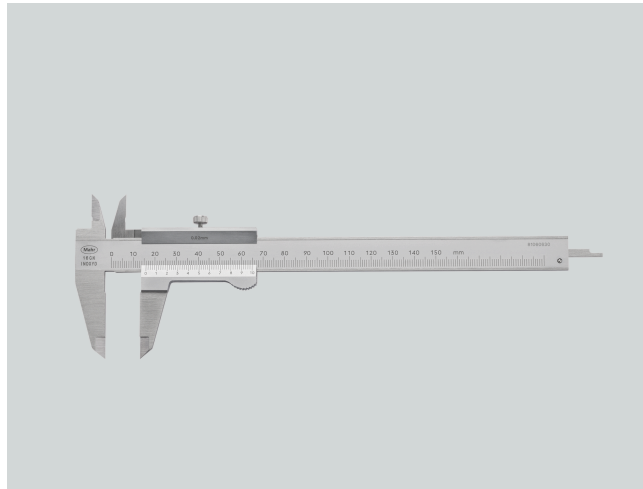


# Product information

## Caliper with analog display MarCal 16 GN

### Product features

- Vernier and scale have a satin chrome finish for glare free reading
- Locking screw above
- Measuring surfaces made of steel
- Measuring blade for inside measurements
- Slide and beam made of hardened stainless steel
- Step measuring function
- Raised guideway for the protection of the scale



### Package contains

thread table, case

Item no.: **4100652**

### Application

#### With locking screw:

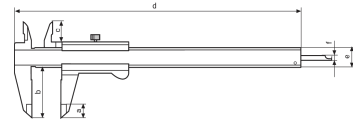
Maintenance-free clamping of the slider thanks to knurled locking screw

### Technical data

<b>Measuring range mm</b>	0 - 300 mm
<b>Error limit (mm)</b>	0.04 mm

### Dimensions

<b>Dimensions e in mm</b>	20 mm
<b>Dimensions b in mm</b>	64 mm
<b>Dimensions a in mm</b>	16 mm
<b>Dimensions f in mm</b>	4.8 mm
<b>Dimensions c in mm</b>	23 mm
<b>Dimensions d in mm</b>	404 mm

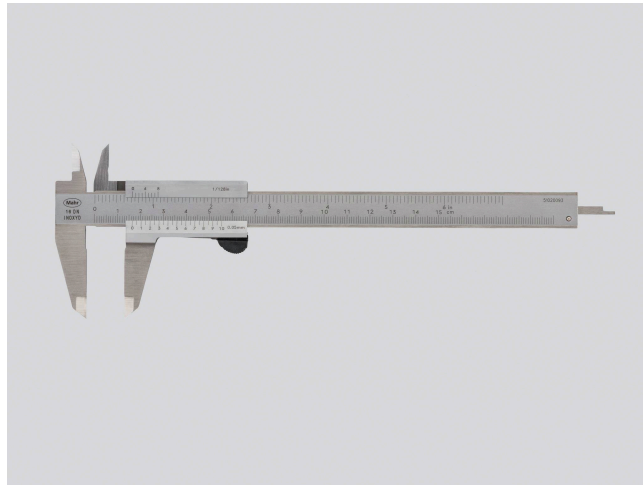


# Product information

## Caliper with analog display MarCal 16 DN

### Product features

- Vernier and scale have a satin chrome finish for glare free reading
- Thumb clamp
- Measuring surfaces made of steel
- Measuring blade for inside measurements
- Slide and beam made of hardened stainless steel
- Step measuring function
- Raised guideway for the protection of the scale



### Package contains

thread table, case

Item no.: 4100600

### Application

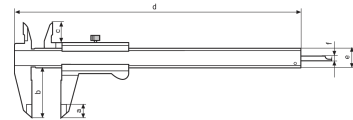
**With thumb clamp:** Spring-loaded clamping lever causes self-locking of the slide when the thumb contact is released

### Technical data

Measuring range mm	0 - 150 mm
Measuring range	0 - 6"
Error limit (mm)	0.05 mm

### Dimensions

Dimensions e in mm	16 mm
Dimensions b in mm	40 mm
Dimensions a in mm	10 mm
Dimensions f in mm	3.8 mm
Dimensions c in mm	16 mm
Dimensions d in mm	228 mm

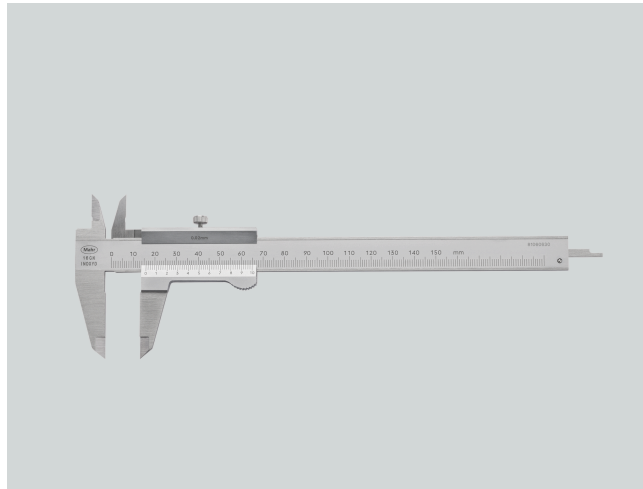


# Product information

## Caliper with analog display MarCal 16 GN

### Product features

- Vernier and scale have a satin chrome finish for glare free reading
- Locking screw above
- Measuring surfaces made of steel
- Measuring blade for inside measurements
- Slide and beam made of hardened stainless steel
- Step measuring function
- Raised guideway for the protection of the scale



### Package contains

thread table, case

Item no.: **4100651**

### Application

#### With locking screw:

Maintenance-free clamping of the slider thanks to knurled locking screw

### Technical data

<b>Measuring range mm</b>	0 - 200 mm
<b>Error limit (mm)</b>	0.04 mm

### Dimensions

<b>Dimensions e in mm</b>	17 mm
<b>Dimensions b in mm</b>	50 mm
<b>Dimensions a in mm</b>	14 mm
<b>Dimensions f in mm</b>	3.8 mm
<b>Dimensions c in mm</b>	19 mm
<b>Dimensions d in mm</b>	290 mm

